

CENTRIC LARGE SIZE BUTTERFLY VALVE

PN 10/16 28"-48" (700-1200mm)

Short Face to Face
acc. BS 5155/EN 593/API 609
Ductile cast iron
Fully vulcanized

LONG LIFE VALVES



Top flange acc. ISO 5211.

Products

Type	Operation	Disc	Nominal size						
			mm	700	750	800	900	1000	1200
			inches	28"	30"	32"	36"	40"	48"
001	Gear	Coated: Ductile Iron Nylon11 (Rilsan) / Halar (ECTFE) / Enamel		*	*	*	*	*	*
002	Bare Shaft			*	*	*	*	*	*
003	Gear	S.S.316 (CF8M)		*	*	*	*	*	*
004	Bare Shaft			*	*	*	*	*	*
005	Gear	Duplex / Al. Bronze		*	*	*	*	*	*
006	Bare Shaft			*	*	*	*	*	*

Flange connection: DIN, BS, ANSI
Lining: NBR, EPDM, BUTYL, HYPALON

* Order example: 116 Type 003 DN 800 DIN EPDM

Description

Application

Multipurpose, Bi-Directional Shut off valve.
Working temperature up to - NBR+Butyl: 70°C,
Hypalon+EPDM: 120°C.

Operation by:

Gear, Pneumatic or Electric Actuator.

Coating

Body: Epoxy 50-150 mic.

Advantages

Liner: Fully vulcanized liner seat.

- Guaranteeing seat stability:
- Optimum tightness
- Prevents corrosion between liner and body.
- Eliminates the need of separate gaskets for installation.
- Dry shaft - prevents leakage outside the valves.

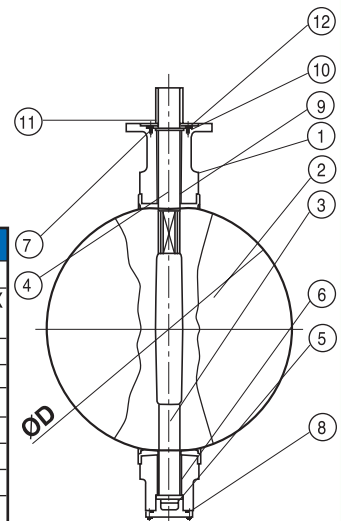
Split Shaft:

- Without any pins or bolts pinned on the disc.

Disc:

- Shaped disc with smooth contoured edge to minimize friction losses and providing a drop tight seal.
- Very low head loss.

Material Specification		
1	Body	D.I. GGG40
2	Disc	D.I. GGG50 / S.S.316 / DUPLEX / Al. Bronze
3,4	Shaft	S.S.410 / S.S.316 / DUPLEX
7	O-Ring	NBR / EPDM
8	Plug	S.S.410
5,6,9	Bushing	Bronze
10	Washer	S.S.410
11	Half Washer	S.S.410
12	Bolts	Stainless steel



Body:

- Ductile cast iron.
- Hammering and pressure proof.
- Can be installed between all kinds of flanges.

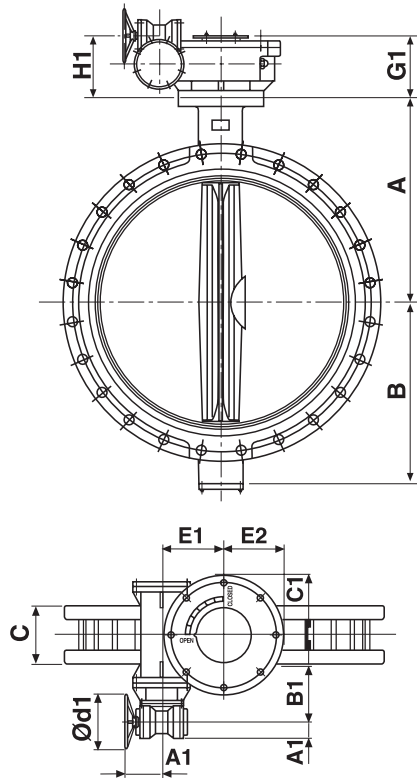
Gear:

- Powerful low ratio gear.
- Option - IP65.

Applications for:	Drinking water	Air cooling system	Hot water	Steam	Water treatment	Sewage water	Sea water	Desalination plants	Chemical industry	Food industry	Pulp/Paper industry	Dry air	Gas	Vacuum
	✓	✓	✓		✓	✓	✓	✓	✓	✓	✓	✓	✓	✓

116 CENTRIC LARGE SIZE BUTTERFLY VALVE PN10/16

Dimensions (mm)



116 Gear operated

116 Dimensions Table

Dimension	DN						
	mm	700	750	800	900	1000	1200
	inches	28"	30"	32"	36"	40"	48"
A	624	660	672	720	800	941	
B	520	554	591	656	722	874	
C	163	165	188	203	216	252	
D	695	745	795	864.7	965	1161	
Top flange	F25	F25	F25	F25	F25	F35	
A1	66	66	66	66	66	75	
B1	228	228	228	125	125	313	
C1	159	159	159	189	189	250	
E1	140	140	140	162	162	236	
E2	155	155	155	180	180	168	
F1	187	187	187	157	157	220	
H1	167	167	167	187	187	252	
G1	163	163	163	190	190	243	
I	400	400	400	450	450	450	

Dimensions and weight can be changed without notification.